



The VELA Person Lift allows wheelchair users to travel as a passenger or driver in most cars. It provides effortless transfer between a wheelchair and a car seat and is easy to operate for the user and helper. It is easy to install, assemble and use in most cars without modifying the vehicle. It is also applicable as a lifting device in domestic settings.

The VELA Person Lift is a highly flexible lifting device for wheelchair users. It is applicable for use in nearly any type of car without modifying the vehicle.

Installation in a vehicle requires a customized bracket that is compatible with the door hinge of the car.

The VELA Person Lift is mobile and can also be applied in the user's home for transfers in domestic settings e.g. in the bedroom or the bathroom.

The VELA Person Lift is easy to install, assemble and remove. Furthermore, it has a high lifting range, and fits most vehicles.

## BENEFITS

- :: Effortless transfer from wheelchair to any car seat with VELA Person Lift
- :: Compatible with most cars available without modification of the vehicle
- :: Simple two-button operation
- :: Easy mounting and dismounting, e.g. to another vehicle
- :: It can be used as a lifting device in the user's home with a wall bracket

## STANDARD CONFIGURATION

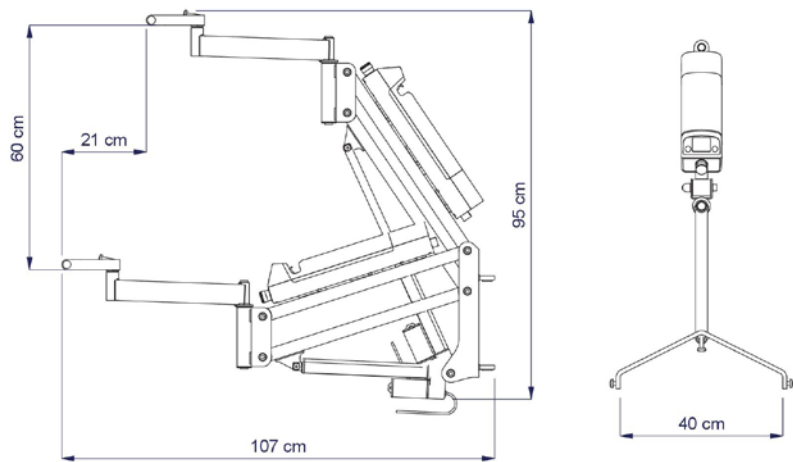


### VELA Person Lift

FEATURES

Lifting capacity, SWL	125 kg
Lifting height	60 cm
Forward direction of travel	21 cm
Operation	Manual control (operating forces 4N)

WEIGHT AND MEASURES



SAFETY AND ELECTRONICS

Specific weight	9 kg
Emergency stop	Yes
On/off	Automatically when the lift is used
Protection against overload	Automatic
Protection against deep discharge of battery	Automatic
Power supply	24V DC, 10A
Charger	Input: 100-240V – 50/60Hz, 0,5A Output: 28V 0,8A
Battery	24V DC/2.9 Ah
Battery capacity	Approx. 25 lifting procedures depending on conditions
Duty cycle	Max. 2 min ON/18 min OFF
Charging time	4 hours
Operating temperature	+5°C to +45°C
Item no.	M123100

## ACCESSORIES

A selection of accessories is available for the VELA Person Lift, such as wall bracket, so the lift can also be used as a portable lifting device in the user's home. It is ideal for indoor use in the bedroom or bathroom and is applied the same way as in a car.

- :: The VELA Person Lift can be easily disassembled without using tools and stored in the trunk of the car.
- :: The battery is easy to dismantle from the lift, e.g. for charging.

Find more information at [www.vela.eu](http://www.vela.eu).

## HIGH QUALITY MADE IN DENMARK SINCE 1935

At VELA, we make quality products for the sitting person. We strive towards increased well-being and improved quality of life for the people who use our products.

We consider that our products are often exposed to severe wear and tear for many hours daily. Therefore, VELA use sturdy mechanical parts and durable materials to keep them clean and functional for many years.

All VELA products are CE marked in accordance with the European Medical Device Regulation 2017/745. In addition, we are certified in ISO9001 and ISO14001 that are internationally recognised standards within quality and environment.