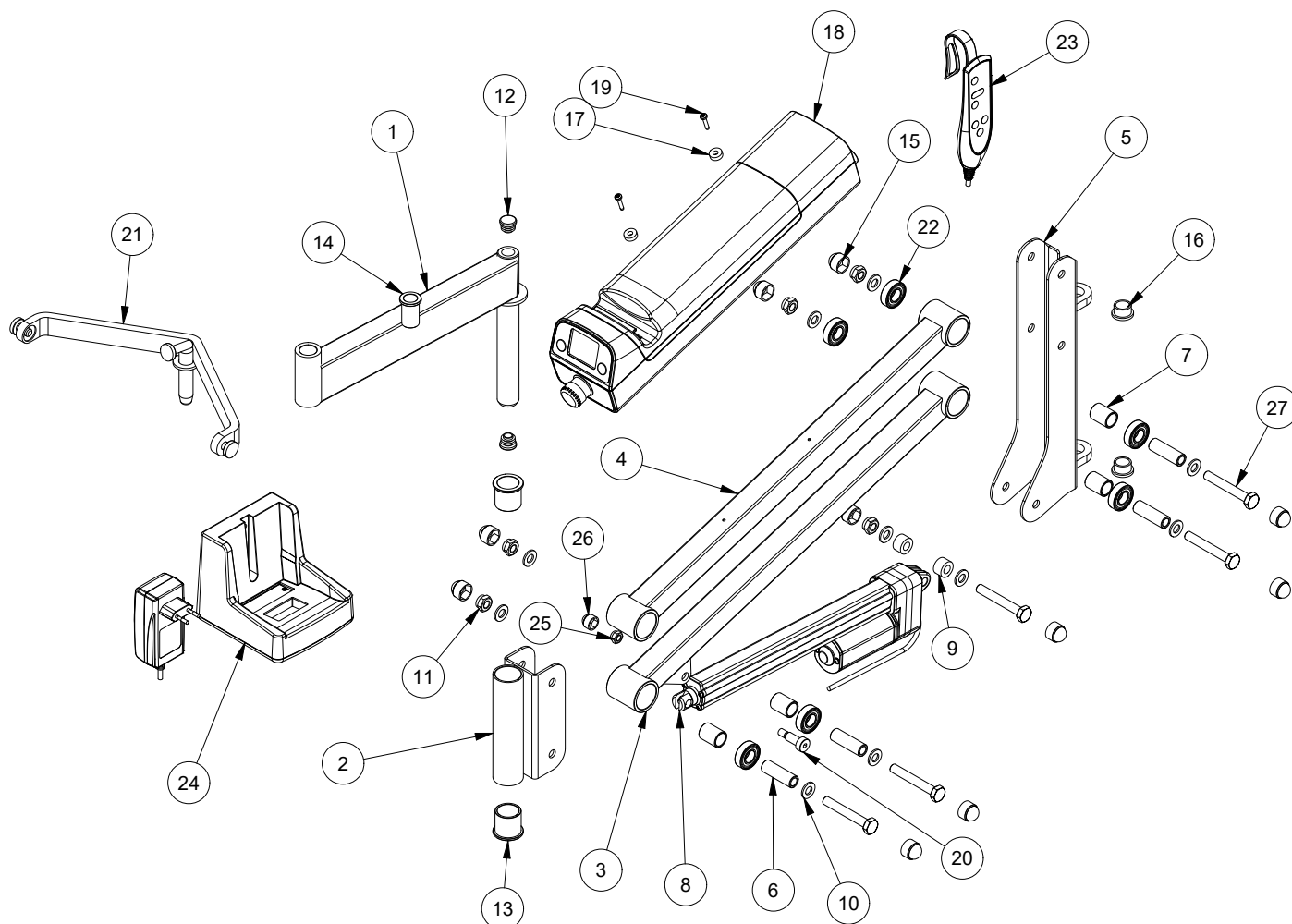


## VELA Person lift



Pos	Pcs	Beskrivelse	Description	Stock no
1	1	Løftearm til Person Lift	Lifting beam	M140367
2	1	Holder til løftearm til Person Lift	Lifting beam mount	M140372
3	1	Nedre arm til Person Lift	Lower arm f/ Person lift	M140375
4	1	Øvre arm til Person Lift	Upper arm f/ Person lift	M140379
5	1	Ophæng til Person lift	Mounting base	M140381
6	4	Aksel til lejer i Person Lift	Bearing shaft	M140384
7	4	Afstandsstykke ml. lejer i Person Lift	Bushing for bearings	M140385
8	1	Person Lift aktuator 380 mm	Person Lift actuator 380 mm	M140320
9	2	Afstandsskive Plast Ø20/Ø10x12	Distance piece plastic Ø20/Ø10x12	M140386
10	10	Skive M10	Washer M10	M140286
11	5	Låsemøtrik M10	Lock nut M10	M014533
12	2	Rørben Ø19 mm	Plug Ø19 mm	M140388
13	2	NYLONIT kraveforing: 25x30x30x35 mm Carlift	NYLONIT 25x30x30x35 mm Carlift	M140205
14	1	NYLONIT kraveforing: 16x20x35x25 mm Carlift	NYLONIT 16x20x35x25 mm Carlift	M140208
15	10	Møtrikbeskytter M10, sort	Cover f/ clasp M10, black	M140301
16	2	NYLONIT kraveforing: 16x20x13x25 mm Carlift	NYLONIT 16x20x13x25 mm Carlift	M140202
17	2	Afstandsskive Plast Ø15-Ø6x5	Distance piece plastic Ø15-Ø6x5	M140082
18	1	Motorstyring inkl. batteri Person Lift	Control Box incl. battery Person Lift	M140321
19	2	Skruer M4x20	Screw M4x20	M140389
20	1	Pas bolt M8 - Ø10x20	Shoulder screw M8 - Ø10x20	M140390
21	1	Løftebøjle f/ Person Lift	Slingbar f/ Person lift	M140391
22	8	Kugleleje	Ball bearing	M140008
23	1	Håndboks Person Lift	Handset Person Lift	M140322
24	1	Oplader inkl. ladedock f/Person Lift	Charger incl. cradle f/Person Lift	M140323
25	1	Låsemøtrik M8	Lock nut M8	M041308
26	1	Møtrikbeskytter M8, sort	Nut cover M8	M140397
27	5	Stål bolt M10 x 70 mm	Steel bolt M10 x 70 mm	M140387